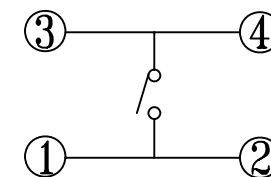
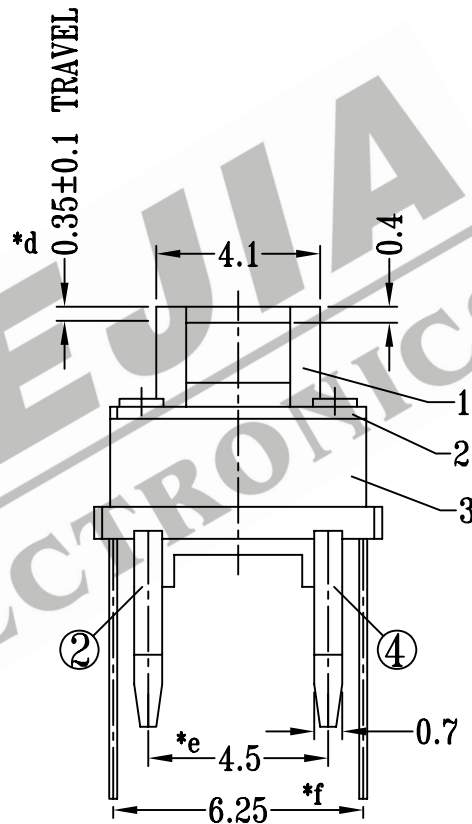
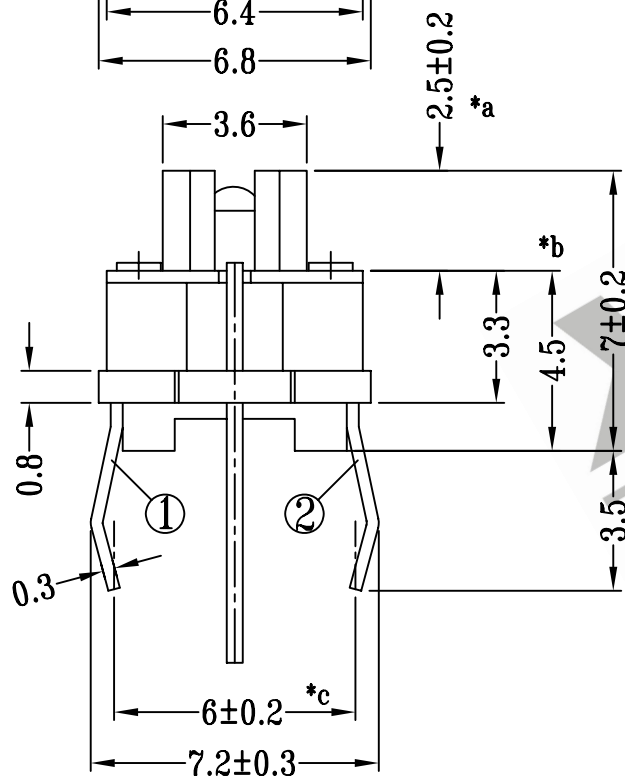
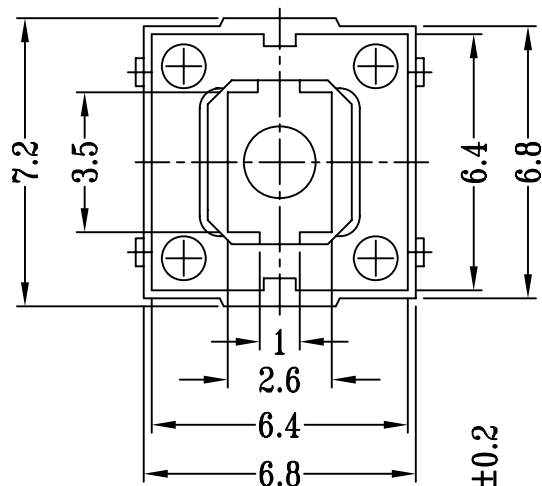
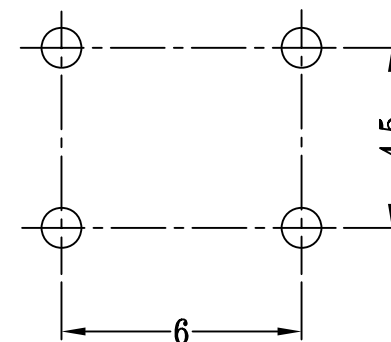


CAD FILE:



SCHEMATIC



P.C.B LAYOUT

注：“*”表示关键尺寸（6个）

TOLERANCE UNLESS SPECIFIED		SHENZHEN XIEJIA ELECTRONICS CO.,LTD.			
WITHIN : 1.5±0.1mm OVER : 1.5±0.2mm		ISSUE	DATE	DESCRIPTIONS OF REVISION	APPD.
TITLE : TACT SWITCH				UNIT : mm	DRWG NO.: XJ-DR-TC1194-00
MODEL: TC-1194				SCALE: 5:1	DWN. ZHOUYU 2005-12-9
ALL MATERIALS MUST BE COMPLIANT TO ROHS				CHK'D FANGYING	2005-12-9
				APPD. KANGXINAN	2005-12-9

NO.	PARTS	MATERIALS	Q'TY	FINISH
5				
4	CONTACT	PBS	1	Ag CLAD
3	CASE	NYLON+F.G/BRASS STRIP	1	BLACK/Ag PLATED OVER Ni PLATED
2	COVER	PET	1	CLEAR
1	KNOB	NYLON	1	BLACK